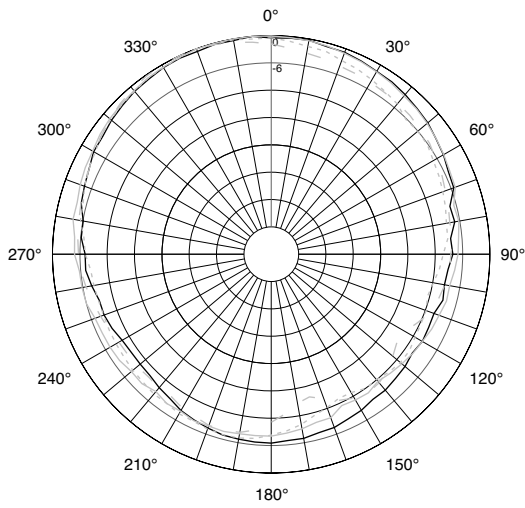
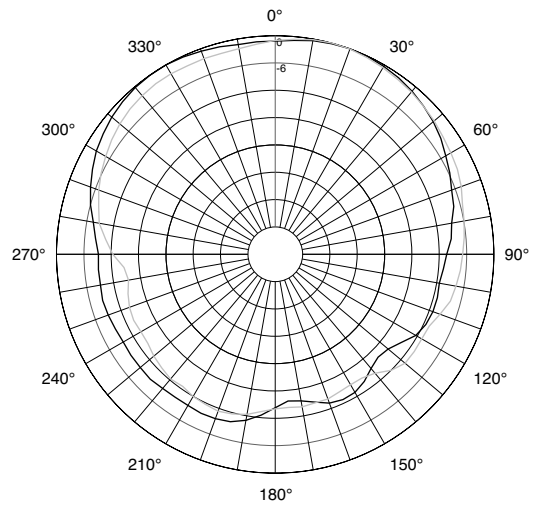


Horizontal 1/3 Octave Polars



— 200 Hz
— 250 Hz
- - - 315 Hz
- - - 400 Hz



— 500 Hz
— 630 Hz

▶ AW566-LS High Power 2-Way All Weather Loudspeaker with 1 x 15" LF & Rotatable Horn

Vertical 1/3 Octave Polars

