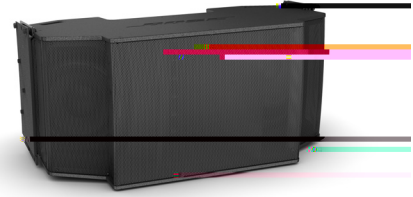




o



coverage to exact venue dimensions to minimize wall reflections and deliver best-in-class sound quality even in venues with difficult acoustics

extend full-range performance to 40 Hz or 25 Hz, in fown or ground stack arrays
amplifiers – configurable to provide optimal power for all RoomMatch modules and subwoofers; includes

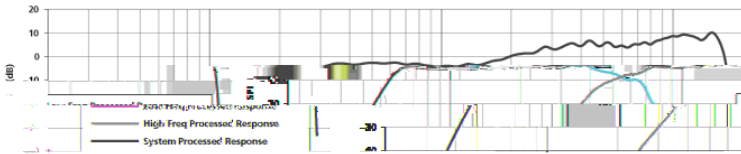
Bose RoomMatch DeltaQ array loudspeakers are designed for permanent installation in the finest performing arts centers, auditoriums, sports best-in-class coverage control, sound quality and vocal clarity even in venues with difficult acoustics.

Technical Specifications

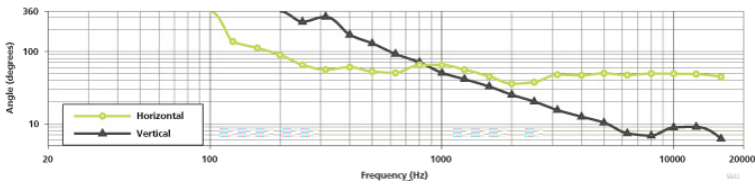
4Ω + 8Ω (LF/HF)

19-gauge (1 mm) perforated steel, powder-coated finish, black

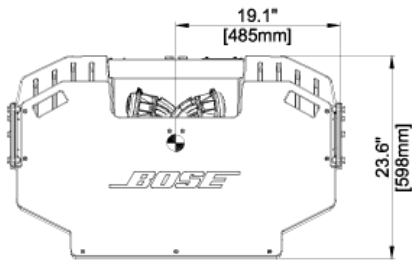




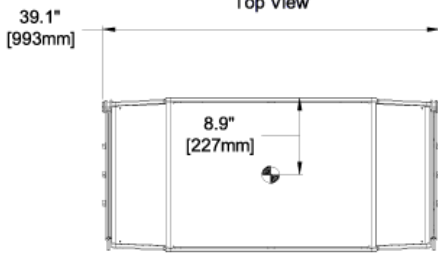
RM5510 measurements shown; other 10



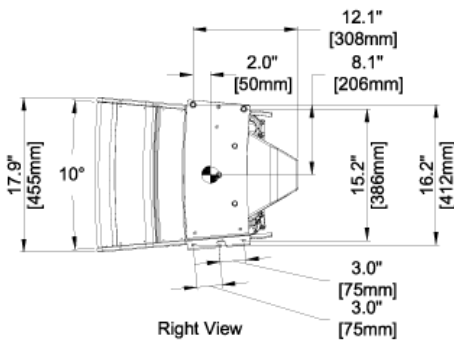
RM5510 measurements shown; other 10



Top View



Front View



Right View

Bose extended-lifecycle test: pink noise, IEC268-5 filtered, 6-dB crest factor, 100-hour duration, with recommended EQ.

Maximum SPL calculated from sensitivity and power handling specifications, exclusive of power compression.

For additional specifications and application information, please visit pro.bose.com. Specifications subject to change without notice.